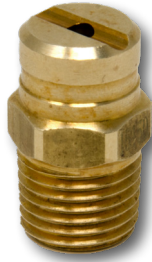


# Soap Spray Tips

Chemical Nozzle



## FEATURES

- 3,000 PSI max operating pressure
- Uniform one piece design
- Laser engraved for clarity and durability
- Durable brass construction

## SPECIFICATIONS

Part No.	Nozzle Size	Spray Angle	Nozzle Marking
D900150M	#15	0	00150
D915150M	#15	15	15150
D925150M	#15	25	25150
D940150M	#15	40	40150
D900200M	#20	0	00200
D915200M	#20	15	15200
D925200M	#20	25	25200
D940200M	#20	40	40200
D900300M	#30	0	00300
D915300M	#30	15	15300
D925300M	#30	25	25300
D940300M	#30	40	40300
D900400M	#40	0	00400
D915400M	#40	15	15400
D925400M	#40	25	25400
D940400M	#40	40	40400
D900600M	#60	0	00600
D915600M	#60	15	15600
D925600M	#60	25	25600
D940600M	#60	40	40600

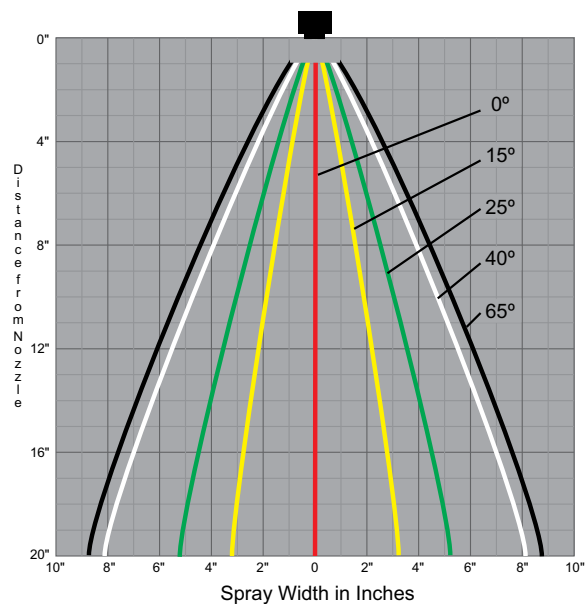
## NOZZLE INFORMATION

$$\text{NOZZLE\#} = \text{GPM} \times \sqrt{\frac{4000}{\text{PSI}}}$$

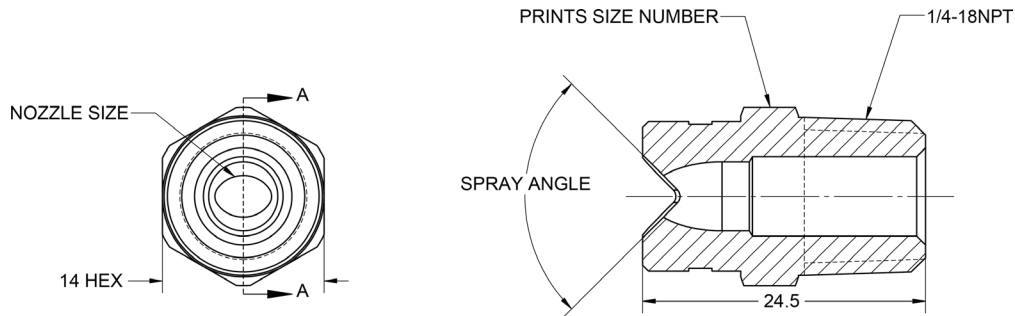
$$\text{GPM} = \text{Nozzle\#} \times \sqrt{\frac{\text{PSI}}{4000}}$$

$$\text{PSI} = \left( \frac{\text{GPM}}{\text{Nozzle\#}} \right)^2 \times 4000$$

GP Nozzle Spray Coverage



**DIMENSIONS (MM)**




**NOZZLE CHART**

Nozzle Size	Orifice Dia.	40 PSI	100 PSI	250 PSI	500 PSI	600 PSI	700 PSI	800 PSI	1000 PSI	1200 PSI	1500 PSI	2000 PSI	2500 PSI	3000 PSI	3500 PSI	4000 PSI	5000 PSI
15.0	.096	1.50	2.37	3.75	6.30	5.81	6.27	6.71	7.50	8.22	9.19	10.61	11.86	12.99	14.03	15.00	16.77
20.0	.109	2.00	3.16	5.00	7.07	7.75	8.37	8.94	10.00	10.95	12.25	14.14	15.81	17.32	18.71	20.00	22.36
25.0	.125	2.50	3.95	6.25	8.84	9.68	10.46	11.18	12.50	13.69	15.31	17.68	19.76	21.65	23.39	25.00	27.95
30.0	.141	3.00	4.74	7.50	10.61	11.62	12.55	13.42	15.00	16.43	18.37	21.12	23.72	25.98	28.06	30.00	33.54
40.0	.156	4.00	6.32	10.00	14.14	15.49	16.73	17.89	20.00	21.91	24.49	28.28	31.62	34.64	37.42	40.00	44.72
50.0	.172	5.00	7.91	12.50	17.68	19.36	20.92	22.36	25.00	27.39	30.62	35.36	39.53	43.30	46.77	50.00	55.90
60.0	.188	6.00	9.49	15.00	21.21	23.24	25.10	26.83	30.00	32.96	36.74	42.43	47.43	51.96	56.12	60.00	67.08

**WARNINGS**

**WARNING: High Pressure Systems require a primary pressure regulating device (i.e. regulator, unloader) and a secondary pressure relief device (i.e. pop-off valve, relief valve). Failure to install such relief devices properly could result in personal injury or damage to pump or property. GP does not assume any liability or responsibility for the operation of the user's high pressure system.**

**WARNING:** High pressure water can cause serious bodily harm. Never direct spray at people or animals.



WARNING: This product can expose you to chemicals including lead, which is known to the state of California to cause cancer and birth defects or other reproductive harm. For more information, go to [www.P65Warnings.ca.gov](http://www.P65Warnings.ca.gov)

